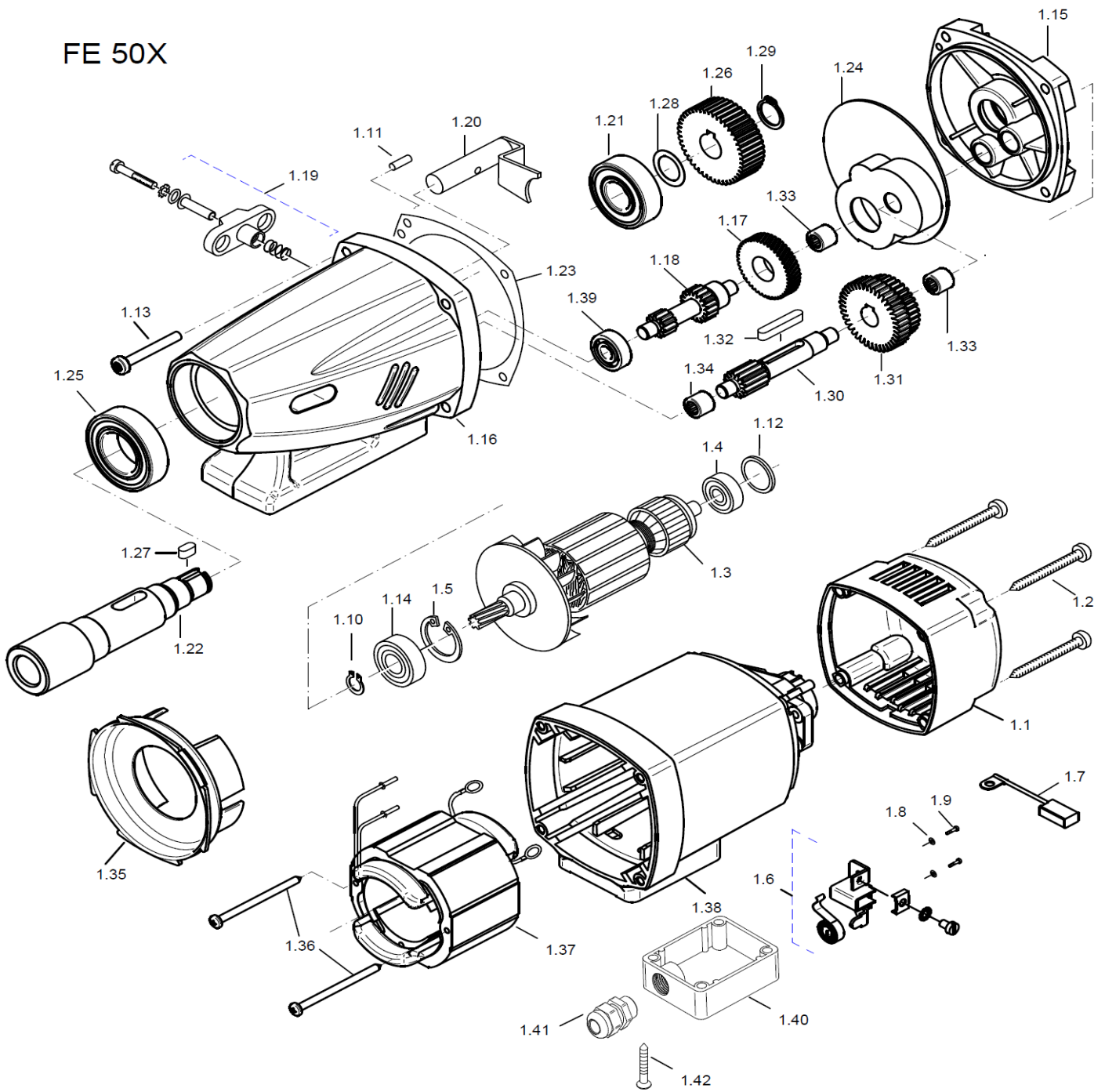


# Spare List 2015

## FE 50X Motor Unit

### FE 50X



## Spare List 2015

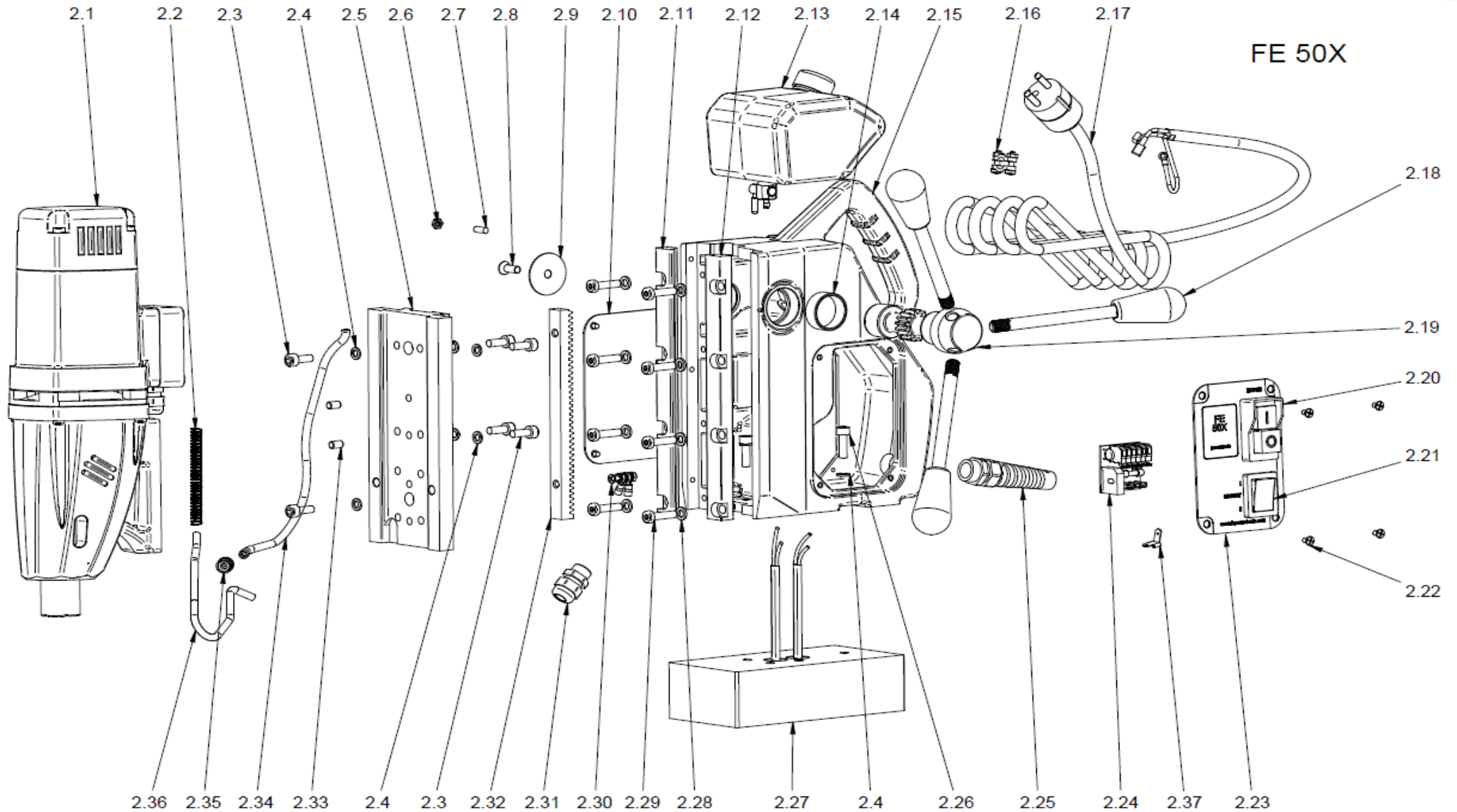
### FE 50X Motor Unit

| Pos. Nr. | Article | Article Description          | Pcs | Price / Ea |
|----------|---------|------------------------------|-----|------------|
| 1.1      | 5010691 | Motor cover                  | 1   | 7,70 €     |
| 1.2      | 5010581 | Screw HC 4,8x45 DIN 7981     | 4   | 0,77 €     |
| 1.3      | 5010651 | Armature 230V                | 1   | 129,36 €   |
| 1.4      | 5010061 | Ball bearing 608 2Z          | 1   | 6,16 €     |
| 1.5      | 5010271 | Circlip 28x1,2 DIN 472       | 1   | 1,10 €     |
| 1.6      | 5010561 | Carbon brush holder          | 2   | 7,70 €     |
| 1.7      | 5010571 | Carbon brush 6,3x10x18       | 2   | 7,48 €     |
| 1.8      | 5013981 | Spring washer B4 DIN 137     | 4   | 0,22 €     |
| 1.9      | 5013991 | Threaded ridge screw ZM4x12  | 4   | 0,33 €     |
| 1.10     | 5010711 | Circlip 11/1 DIN 471         | 1   | 0,44 €     |
| 1.11     | 5010291 | Key M4x12 DIN 1474           | 1   | 0,44 €     |
| 1.12     | 5010591 | O-Ring 22x2,5                | 1   | 0,66 €     |
| 1.13     | 5015231 | PT-screw 50x40               | 4   | 1,54 €     |
| 1.14     | 5010081 | Ball bearing 6001 2Z         | 1   | 11,66 €    |
| 1.15     | 5010731 | Gearbox cover                | 1   | 44,22 €    |
| 1.16     | 5015331 | Getriebegehäuse              | 1   | 53,46 €    |
| 1.17     | 5010541 | Idler gear 34 T              | 1   | 21,56 €    |
| 1.18     | 5010421 | Shaft with 2 Pinion 19/11 T  | 1   | 27,94 €    |
| 1.19     | 5010521 | Gear switch complete         | 1   | 7,26 €     |
| 1.20     | 5010761 | Clutch bolt complete         | 1   | 12,65 €    |
| 1.21     | 5010611 | Ball bearing 6203 2RS        | 1   | 11,55 €    |
| 1.22     | 5013471 | Spindle drive shaft          | 1   | 39,49 €    |
| 1.23     | 5015111 | Gear seal                    | 1   | 2,86 €     |
| 1.24     | 5010771 | Grease chamber seal          | 1   | 2,31 €     |
| 1.25     | 5011191 | Ball bearing 6005 2RS        | 1   | 16,28 €    |
| 1.26     | 5010621 | Spindle gear 45 T            | 1   | 44,00 €    |
| 1.27     | 5010751 | key A5x5x12 DIN 6885         | 1   | 1,76 €     |
| 1.28     | 5010531 | Washer 15x22x0,2 DIN 988     | 1   | 1,10 €     |
| 1.29     | 5010721 | Circlip 15/1 DIN 471         | 1   | 0,88 €     |
| 1.30     | 5010411 | Shaft for gear block 13 T    | 1   | 33,00 €    |
| 1.31     | 5010632 | Gear block 34/40 T           | 1   | 45,32 €    |
| 1.32     | 5010501 | key A5x5x28 DIN 6885         | 1   | 1,76 €     |
| 1.33     | 5010351 | Needle bushing HK 0810       | 2   | 6,49 €     |
| 1.34     | 5014591 | Needle bushing DL 0810       | 1   | 8,91 €     |
| 1.35     | 5010641 | Air guide                    | 1   | 7,70 €     |
| 1.36     | 5010031 | Screw HC 3,9x60 DIN 7981     | 2   | 1,10 €     |
| 1.37     | 5010671 | Field 230V                   | 1   | 55,66 €    |
| 1.38     | 5014861 | Motor housing complete black | 1   | 42,35 €    |
| 1.39     | 5010071 | Ball bearing 608             | 1   | 4,40 €     |
| 1.40     | 6010391 | Cover for motor cable        | 1   | 19,36 €    |
| 1.41     | 6012131 | Screwed cable gland PG9      | 1   | 0,99 €     |
| 1.42     | 6010401 | Screw 5x35t                  | 4   | 0,44 €     |

# Ersatzteilpreislise 2015

## FE 50X Magnetbohrständer

## Explosionszeichnung



## Spare List 2015

### FE 50X Stand

| Pos. Nr. | Article   | Article Description                          | Pcs | Price / Ea |
|----------|-----------|--|-----|------------|
| 2.1      | 5045031   | Motor complete 230V black                    | 1   | 394,68 €   |
| 2.2      | 6012181   | Motor cable protection                       | 1   | 1,65 €     |
| 2.3      | 6010011   | Hexagon socket screw head cap M6x16 DIN 912  | 6   | 0,44 €     |
| 2.4      | 6010021   | Spring washer 6,1 DIN 7980                   | 9   | 0,33 €     |
| 2.5      | 4000252   | Slide  | 1   | 27,17 €    |
| 2.6      | 6010031   | Hexagon nut M5 DIN 934                       | 4   | 0,33 €     |
| 2.7      | 6015431   | Hexagon socket set screw M5x12 DIN 913       | 4   | 0,44 €     |
| 2.8      | 6010232   | Screw M6x16 ISO 10642                        | 1   | 0,66 €     |
| 2.9      | 6010221   | Fastening disc 10,5x35x1,5                   | 1   | 10,78 €    |
| 2.10     | 7011641   | Rear plate                                   | 1   | 6,49 €     |
| 2.11     | 6012252   | Aluminum guide left                          | 1   | 10,34 €    |
| 2.12     | 6012262   | Aluminum guide right                         | 1   | 10,34 €    |
| 2.13     | 4010241   | Coolant container                            | 1   | 12,65 €    |
| 2.14     | 3020005   | Glide bearing 28x32x12                       | 2   | 1,43 €     |
| 2.15     | 4010011   | Housing                                      | 1   | 133,54 €   |
| 2.16     | 4010291   | Strain-relief clamp                          | 1   | 1,76 €     |
| 2.17     | 7010042   | Main cable 230V                              | 1   | 21,12 €    |
| 2.18     | 6010243   | Handle                                       | 3   | 5,17 €     |
| 2.19     | 4010181   | Gear shaft                                   | 1   | 23,54 €    |
| 2.20     | 7010801   | Motor switch 230V                            | 1   | 7,70 €     |
| 2.21     | 7010142   | Magnet switch                                | 1   | 6,38 €     |
| 2.22     | 7010081   | Screw M4x8 DIN 966                           | 4   | 0,33 €     |
| 2.23     | 7011632   | Front plate                                  | 1   | 6,34 €     |
| 2.24     | 7010811   | PCB board 110V + 230V                        | 1   | 20,90 €    |
| 2.25     | 7010031   | Screwed cable gland                          | 1   | 4,18 €     |
| 2.26     | 6010091   | Hexagon socket screw head cap M6x20 DIN 913  | 3   | 0,44 €     |
| 2.27     | 6010055   | Magnet w/o indicator - 3 holes               | 1   | 88,44 €    |
| 2.28     | 6013441   | Washer 6,4x11x1,6 DIN 433                    | 8   | 0,33 €     |
| 2.29     | 6050141   | Cylinder screw hexagon socket M6x25 DIN 7984 | 8   | 0,55 €     |
| 2.30     | 7010061   | Earthing complete                            | 1   | 1,54 €     |
| 2.31     | 6012131   | Screwed cable gland PG9                      | 1   | 0,99 €     |
| 2.32     | 6010081   | Rack   | 1   | 17,82 €    |
| 2.33     | 4000101   | Dowel pin 6m6x10 DIN 6325                    | 2   | 0,44 €     |
| 2.34     | ZSS 200SL | Hose, blue, 480 mm                           | 1   | 4,62 €     |
| 2.35     | ZSS 200K  | Quick connect                                | 1   | 7,26 €     |
| 2.36     | 7011091   | Motor cable 670 mm                           | 1   | 5,28 €     |
| 2.37     | 7011571   | Multi-contact connector                      | 2   | 0,33 €     |