

FE 36 X MAGNETIC DRILLING MACHINE



FE 36 X magnetic drilling machine is a compact, versatile machine. Ideal for all drilling purposes, hole cutters and/or twist drills. This machine is supplied with auto coolant system cleverly mounted on top of the machine.

All our machines can be supplied in 110 Volt as well as in 230 Volt.

Motor power:	920 Watt
Min. workpiece thickness:	6 mm (1/4")
Max milling capacity:	Ø 12 – 36 mm (1-7/16")
Max drilling capacity:	Ø 12 – 16 mm (10/16")
RPM:	350 min-1
Stroke:	70 mm (2-3/4")
Weight:	10 kgs
Magnet power:	1000 kg



Made in Europe

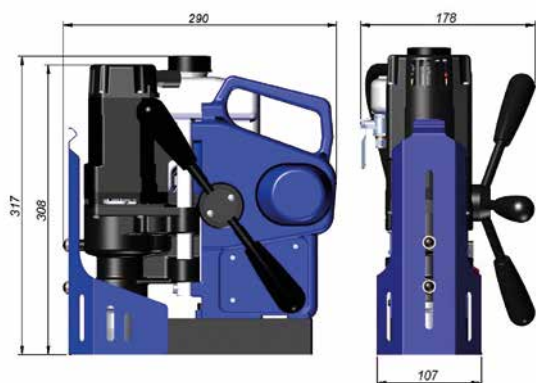


230 V

110 V

max. Ø
36 mm

MEASUREMENTS



STANDARD DELIVERY OF MAGNETIC DRILLING MACHINE FE 36 X CONTAINS:

- FE machine with coolant system
- Safety strap
- Pilot pin
- Safety guidelines
- Users manual
- Cutting oil 0.25L