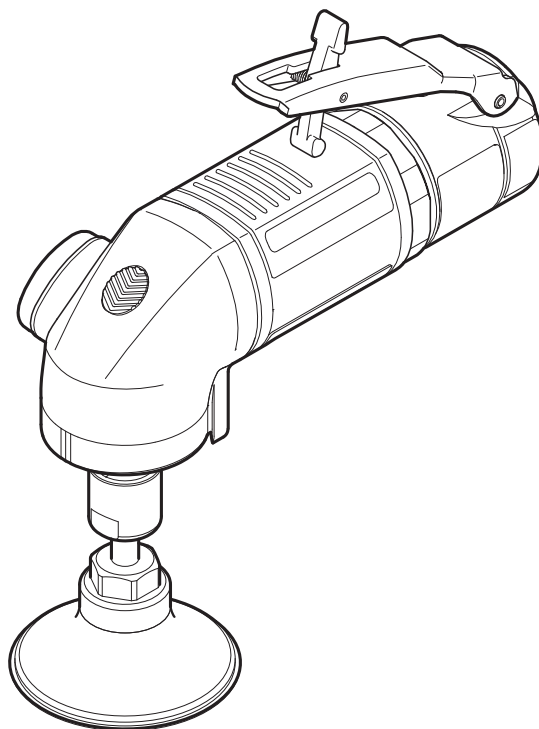


# INSTRUCTION MANUAL

Professional tool Pneumatic sander

# MYTON

Model: MYS-20



## [Specifications]

Model		MYS-20
Maximum operating pressure	MPa	0.6
Air consumption (No load)	m <sup>3</sup> /min	0.42
Rated speed (No load)	min <sup>-1</sup>	19000
Abrasive Disc (paper) diameter	mm (inch)	25 (1"), 38 (1-1/2") or 50 (2")
Chack size	mm	6
Mass (weight)	kg	0.55
Sound pressure level *1	dB (A)	82
Sound power level *1	dB (A)	93
Vibration level *2	m/s <sup>2</sup>	3.3
Thread size of Air Inlet		Rc 1/4

\*1 Based on the ISO15744 measurement standard.

\*2 Based on the 3 axes combined value measurement standard of the ISO28927-3 of the hand-held tool frequency correction vibration acceleration effective value.

- Please read manual carefully before you attempt to use your tool so that you may use it properly and safely.
- Keep the manual handy - so you can use it whenever necessary.

• Due to continuous product development/improvement, the specifications and configurations in this document are subject to change without prior notice.

## Instructions

Thank you very much for your purchase of this NITTO KOHKI product.  
Before using your tool, please read this manual carefully so that you may use it properly to get the most out of it.  
Please keep the manual handy - so you can use it whenever necessary.

- English : Please ask your dealer or distributor for instruction manual in local language(s).
- German : Bitte fragen Sie Ihren Händler nach eine Betriebsanleitung in Landessprache.
- French : S'il vous plait, veuillez demandez á votre fournisseur de manuel instruction en langue locale.
- Spanish : Por favor, contacte con su distribuidor para el manual de instrucciones en español.
- Portuguese : Por favor pessa ao seo agente ou distribuidor o manual de instrucces ih linguagen local.
- Italian : Per Manuale Istruzioni in lingua locale Vi preghiamo di rivolgervi al rivenditore o distributore.
- Dutch : Vraag uw handelaar om een nederladstalige gebruiksaanwijzing.
- Swedish : Be er lokala Åtreförsäljare eller distributör om manualer på svenska.
- Danish : Venligst henvend Dem til den danske distributør for instructions manualer.
- Polish : Proszę pytać swojego dealera lub dystrybutora o instrukcje obsługi w języku localnym.
- 中文 : 請向當地供應商或經銷商詢問中文使用說明書

The following Safety notations are used throughout the manual to highlight safety precautions for the user and for the tool.



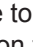
### **WARNING:**

Indicates a potentially hazardous situation which, if not avoided by following the instructions given, could result in death or serious injury.



### **CAUTION:**

Indicates a potentially hazardous situation which, if not avoided by following the instructions given, could result in injury or material damage.

\* Please note, however, that failure to observe safety precautions under the “ **CAUTION**” category could result in a serious occurrence depending on the situation.  
Please observe all safety precautions in the manual.

**CAUTION:** Important precautions for tool setup, operation and maintenance.

### About pictograms



### **WARNING:**

It might be dangerous to operate the tool if the instructions supplied are not followed.



Using this tool improperly could result in serious injury. Read the instruction manual before using.



Always wear suitable eye protection.



Always wear suitable hearing protection.



Always wear respiratory protective equipment (PPE).

## Contents

Precautions on Use (Make sure to follow the instructions given).....	2	6 How to Use.....	14
General Power Tool Safety Warnings .....	2	Grinding work.....	14
General Pneumatic Tool Safety Warnings .....	5	7 Maintenance and Inspection.....	15
Safety Warnings for PNEUMATIC SANDER.....	5	Storing the tool.....	15
Product Specific Safety Rules.....	9	Maintenance and Inspection.....	16
1 Application .....	10	Disposal .....	17
2 Checking Inside the Package .....	10	8 Optional Parts.....	17
3 Part Names.....	10	9 Exploded View/Parts List.....	18
4 Air Supply .....	11	MYS-20 Exploded View/Parts List.....	18
5 Preparation .....	12		
Replacing Pad/Abrasive Disk.....	12		
Start and stop.....	13		
Adjusting the rotation speed .....	13		

## California Proposition 65

### WARNING

Some dust created by power sanding, sawing, grinding, drilling, and other construction activities contains chemicals known [to the State of California] to cause cancer birth defects or other reproductive harm.

Some examples of these chemicals are:

- Lead from lead-based paints,
- Crystalline silica from bricks and cement and other masonry products, and
- Arsenic and chromium from chemically-treated lumber.

Your risk from these exposures varies, depending on how often you do this type of work. To reduce your exposure to these chemicals: work in a well ventilated area, and work with approved safety equipment, such as those dust masks that are specially designed to filter out microscopic particles.

## Precautions on Use (Make sure to follow the instructions given)

Before using your tool, to avoid personal injury always take the basic precautions explained in later sections.

## General Power Tool Safety Warnings

### Personal safety

#### ⚠ WARNING

- **Dress properly.**

Do not wear loose clothing or jewelry. There is a danger of being caught in moving parts. Wear a pair of non-slip shoes. If your hair is long, wear a protective hair covering to contain your hair.

- **Always wear eye protection.**

Corrective glasses are not considered eye protection. Always wear appropriate eye protection.

- **Wear a dust mask.**

When dust is generated in the workplace, wear a dust mask.

- **Use a dust collector or dust collection equipment correctly.**

If a dust collector or dust collection equipment are being used, check that these are connected and used properly. Use of a dust collector can reduce risk caused by dust.

- **When loud noise is generated in the workplace, wear a hearing protection.**

- **Do not overreach.**

Keep proper footing and balance at all times.

- **Be on your guard when working.**

Do not use the tool when you are tired.

When you use the tool, be sure about the handling method, how to work, and pay sufficient attention to the surrounding environment.

- **Never touch the tip of moving parts when the tool is running.**

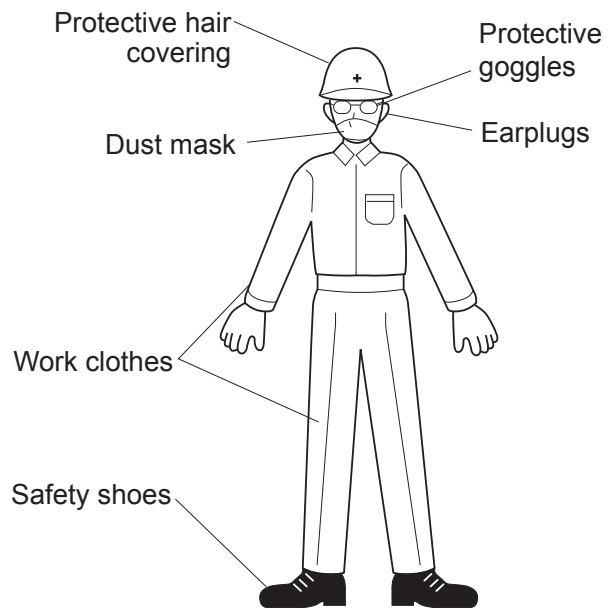
Also, do not direct the tip of moving parts toward people or animals.

- **Be aware of tool vibration and recoil. Some tools can cause a considerable amount of vibration.**

Depending on how the product is operated, the type of tool setting, and the length of operation, it could place a tremendous burden on your hands, arms and body.

The tool could cause a vibration injury or tendonitis. Avoid long-term use and take appropriate breaks.

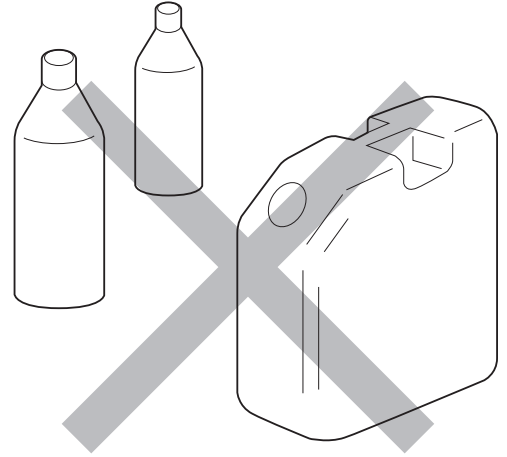
Consult a doctor if you experience any discomfort or pain while operating the tool.



## Work area safety

### ⚠ WARNING

- **Do not use the tool at home.**  
This is a professional tool (industrial or work tool for business). Do not bring the tool home and use it there.
- **Keep the work area clean.**  
Working in a messy work area or work table could cause an accident.
- **Be cautious about the work area.**  
Do not expose the tool to rain.  
Do not use the tool in a damp or wet place.  
Keep the work area well lit.
- **Do not operate the tool in an explosive atmosphere, such as in the presence of flammable liquids (thinner, lacquer, gasoline, etc.) or gas.**
- **Do not let children come close to the work area.**  
Keep children and bystanders away while operating tool.
- **Some tools generate loud noise.**  
Check that the noise regulations of each area are complied with.
- **When work has to be done in high locations, make sure there is nobody underneath the work area.**  
If the tool or material is dropped, it could cause an accident or injury.
- **Before starting operation, make sure that there is no conduit, water pipe or gas pipe by your work area.**  
If a tool touches a buried object, it could cause electrical shock or leakage, which could cause an accident.



## Before starting to work

### ⚠ WARNING

- **Perform inspection before using the tool.**  
Before using the tool, check for loose screws on the tool and for damage on the protective cover or other parts, and make sure that the tool operates normally and demonstrates prescribed functions.  
Check the position adjustment and tightening status of moving parts, parts damage, attachment status, and all other locations for issues that could affect operation.  
For parts replacement and repair, follow the instructions indicated in the instruction manual.  
If there are no instructions in the instruction manual, contact the retailer where you purchased the tool or the nearest NITTO service member store.  
Do not use the power tool if the switch does not turn it ON and OFF.
- **Make sure to properly attach the tip tool.**  
If the tip tool is not attached properly, there is a risk of jumping out or damage, which could result in injury.
- **After adjustment, be sure to remove tools such as spanners, wrenches, etc.**
- **Use appropriate tools.**  
Do not force small tools to do the job of a heavy duty tool. Do not use tools for purposes not intended.
- **Do not use tools in an unreasonable manner.**  
When the specifications are followed, tools can be used efficiently and safely.
- **Secure workpieces.**  
Where possible use clamps or a vise to hold the work. It is safe to hold the workpieces by hand and both hands can be used for operation.

## Handling tools

### WARNING

- **Storing the tool**  
When the tool is not used, store the tool in a dry location. Also, store the tool out of the reach of children. For some tools, the storage temperature and humidity are specified. Store the tool in an appropriate location.
- **Be cautious about how the tool is carried.**  
Do not carry the tool with your hand touching the operation switch.
- **Do not leave the tool while the tool is still running.**  
Do not leave the work area until you turn off the operating switch, remove the power source and the tool completely stops.
- **Do not allow the following chemicals to come into contact with the tool, as parts could deteriorate.**  
Acetone, benzine, thinner, ketone, ether, trichlorethylene and other similar chemicals

## Maintenance and Inspection

### WARNING

- **Do not disassemble or alter the tool.**  
Using the tool after disassembling or remodeling it could cause an accident or injury.
- **Inspect tip tools and accessories.**  
Always inspect tip tools and accessories for damage or deterioration before attaching them to the tool. If damage or deterioration is found, request repair from the retailer where you purchased the tool or the nearest NITTO service member store.
- **Inspect for damaged sections.**  
Sufficiently check for damage on accessories or other parts, that the tool operates normally, and that work can be performed appropriately.  
If there are accessories or parts that have been damaged or could hinder work, request repair from the retailer where you purchased the tool or the nearest NITTO service member store.
- **Request repair from a dedicated store.**  
For repair or replacement of parts, request service from the retailer where you purchased the tool or the nearest NITTO service member store.  
Repair requires special knowledge and skills. If repair is performed at a place other than a specialty store, the tool may not demonstrate its full performance or it could lead to an accident or injury.  
Request repair with the failed status kept intact. When requesting a repair, do not throw away damaged parts. It could be important information for investigating the failure cause so do not change the status.
- **Use genuine parts.**  
If inappropriate parts are used, it could cause accident or injury.  
Genuine parts are listed in the instruction manual or brochure. Inquire at the retailer where you purchased the tool or the nearest NITTO service member store.
- **Do not remove the labels or plates on the tools.**  
If labels or plates are broken or peeling, for a replacement label or plate contact the retailer where you purchased the tool or the nearest NITTO service member store.

## General Pneumatic Tool Safety Warnings

### WARNING

- **Use the tool with proper air pressure.**  
If the air pressure is high, the rotation speed and reciprocation frequency become faster, causing damage such as damage or accelerated wear. Also, unexpected accidents could occur.
- **Connect the tool to air piping.**  
In some factories, other than air piping, there may be other piping such as oxygen, nitrogen, gas, etc. Before connecting to piping, make sure it is the correct piping.
- **Do not start the tool carelessly.**  
Turn off the operation switch, then attach the Connecting Hose to the tool.
- **When attaching, removing, and maintaining accessories, make sure to detach the Connecting Hose from the tool.**
- **Be cautious about exhaust.**  
Pneumatic tool exhaust contains oil and drainage, etc. Be careful about the exhaust direction so that the exhaust does not directly hit people nearby.
- **Do not allow sources of electricity to touch the tool.**  
The pneumatic tool is not insulated against contact by electric sources. Because there is a risk of electric shock, do not allow sources of electricity to touch the tool.

### CAUTION

- **Handle the tool with care.**  
Rough handling could cause accidents or malfunctions. Do not exert an impact on the tool by throwing or dropping it.
- **Handle the Connecting Hose with care.**  
Do not carry the tool by holding the Connecting Hose, and do not pull the Connecting Hose to remove it.

## Safety Warnings for PNEUMATIC SANDER

The following warnings are those required to be displayed as instructed by ISO11148-8.

### General Safety Rules

#### WARNING

- **For multiple hazards, read and understand this instruction manual before installing, operating, repairing, maintaining, changing accessories on, or working near this tool. Failure to do so can result in serious bodily injury.**
- **Only qualified and trained operators should install, adjust or use this tool.**
- **Do not modify this tool. Modifications can reduce the effectiveness of safety measures and increase the risks to the operator.**
- **Do not discard this instruction manual; hand it to the operator.**
- **Do not use this tool if the tool has been damaged.**
- **This tool shall be inspected periodically to verify the ratings and markings. When a label/nameplate is damaged, worn or missing, contact the sales agent through which you have purchased your tool or NITTO KOHKI Co. Ltd. directly for a replacement.**

## Projectile Hazards

### WARNING

- Be aware that failure of the workpiece or accessories, or even of the inserted tool itself can generate high-velocity projectiles.
- Always wear impact-resistant eye protection while operating this tool. The grade of protection required should be assessed for each operation.
- For overhead work, wear a safety helmet.
- The risks to others should also be assessed at this time.
- Ensure that the workpiece is securely fixed.

## Entanglement Hazards

### WARNING

- Choking, scalping and/or lacerations can occur if loose clothing, personal jewelry, neckwear, hair or gloves are not kept away from the tool and its accessories.

## Operating Hazards

### WARNING

- Use of this tool can expose the operator's hands to hazards, including cuts, abrasions and burns. Wear suitable gloves to protect hands.
- Operators and maintenance personnel shall be physically able to handle the bulk, weight and power of the tool.
- Hold the tool correctly; be ready to counteract normal or sudden movements and have both hands available.
- Maintain a balanced body position and secure footing.
- Release the start-and-stop device if the energy supply is interrupted.
- Use only lubricants recommended by the manufacturer.
- Personal protective safety glasses shall be used; suitable gloves and protective clothing are recommended.
- Inspect the backing pad before each use. Do not use if cracked or broken or if it has been dropped.
- Avoid direct contact with the moving sanding pad in order to prevent pinching or cutting of hands or other body parts. Wear suitable gloves to protect hands.
- Never run the tool unless an abrasive is applied to the workpiece.
- There is a risk of electrostatic discharge if used on plastic and other non-conductive materials.
- Potentially explosive atmospheres can be caused by dust and fumes resulting from the use of this tool. Always use dust extraction or suppression systems which are suitable for the material being processed.

## Repetitive Motion Hazards

### WARNING

- When using this tool to perform work-related activities, the operator may experience discomfort in the hands, arms, shoulders, neck or other parts of the body.
- While using this tool, the operator should work in a comfortable posture while maintaining secure footing and avoiding awkward or off-balance postures. The operator should change posture during extended tasks; this can help avoid discomfort and fatigue.
- If the operator experiences symptoms such as persistent or recurring discomfort, pain, throbbing, aching, tingling, numbness, burning sensations or stiffness, these warning signs should not be ignored. The operator should tell their employer and consult a qualified health professional.



## Accessory Hazards

### WARNING

- Disconnect the tool from the energy supply before fitting or changing the inserted tool or accessory.
- Avoid direct contact with the inserted tool during and after use, as it can be hot or sharp.
- Use only accessories and consumables that are the sizes and types recommended by the manufacturer of this tool; do not use accessories or consumables of other types or sizes.
- Grinding wheels and cutting-off tools shall not be used.
- Check that the maximum operating speed of the inserted tool (flap wheels, abrasive belts, fiber discs, backing pads, etc.), is higher than the rated speed of the sander or polisher.
- Self-fixing sander discs shall be placed concentrically on the supporting pad.

## Workplace Hazards

### WARNING

- Slips, trips and falls are major causes of workplace injury. Be aware of slippery surfaces caused by the use of the tool and also of trip hazards caused by the air line or hydraulic hose.
- This tool is not intended for use in potentially explosive atmospheres and is not insulated against contact with electric power.
- Ensure that there are no electrical cables, gas pipes, etc., which can cause a hazard if damaged by the use of the tool.

## Dust and Fume Hazards

### WARNING

- Dust and fumes generated when using this tool can cause ill health (for example cancer, birth defects, asthma and/or dermatitis); risk assessment and implementation of appropriate controls for these hazards are essential.
- Risk assessment should include risks such as the dust created by the use of the tool and the potential for disturbing existing dust.
- Operate and maintain this tool as recommended in these instructions to minimize dust or fume emissions.
- Direct the exhaust so as to minimize disturbance of dust in a dust-filled environment.
- Where dust or fumes are created, the priority shall be to control them at the point of emission.
- All integral features or accessories for the collection, extraction or suppression of airborne dust or fumes should be correctly used and maintained in accordance with the manufacturer's instructions.
- Select, maintain and replace the consumable or inserted tool as recommended in the instruction handbook to prevent an unnecessary increase in dust or fumes.
- Use respiratory protection in accordance with the employer's instructions and as required by occupational health and safety regulations.

## Noise Hazards

### WARNING

- Exposure to high noise levels can cause permanent, disabling hearing loss and other problems, such as tinnitus (ringing, buzzing, whistling or humming in the ears). Therefore, risk assessment and implementation of appropriate controls for these hazards are essential.
- Appropriate controls to reduce the risk can include actions such as damping materials to prevent workpieces from “ringing”.
- Use hearing protection in accordance with the employer's instructions and as required by occupational health and safety regulations.
- Operate and maintain this tool as recommended in the instruction handbook to prevent an unnecessary increase in the noise level.
- Select, maintain and replace the consumable or inserted tool as recommended in the instruction handbook to prevent an unnecessary increase in noise.
- If this tool has a silencer, always ensure it is in place and in good working order when the tool is being operated.
- The noise-emission value in this manual is measured in accordance with ISO standards. Since the real value may change depending on the work condition, please use this tool with measurements in the actual condition. Please don't operate beyond the time set by the region where the tool is used.

## Vibration Hazards

### WARNING

- Exposure to vibration can cause disabling damage to the nerves and blood supply of the hands and arms.
- Wear warm clothing when working in cold conditions and keep your hands warm and dry.
- If you experience numbness, tingling, pain or whitening of the skin in your fingers or hands, stop using this tool, tell your employer and consult a physician.
- Operate and maintain this tool as recommended in the instruction handbook to prevent an unnecessary increase in vibration levels.
- Hold the tool with a light but safe grip, taking account of the required hand reaction forces, because the risk from vibration is generally greater when the grip force is higher.
- The vibration-emission value in this manual is measured in accordance with ISO standards. Since the real value may change depending on the work condition, please use this tool with measurements in the actual condition. Please don't operate beyond the time set by the region where the tool is used.

## Additional Safety Instructions

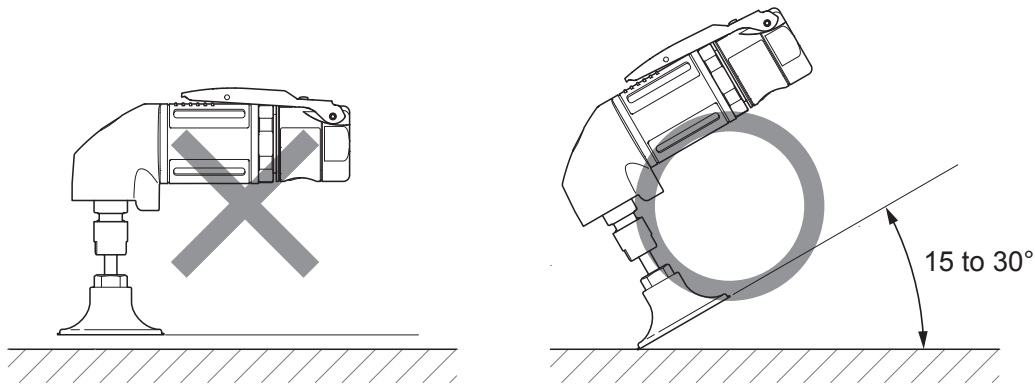
### WARNING

- **Air under pressure can cause severe injury:**
  - always shut off air supply, drain hose of air pressure and disconnect tool from air supply when not in use, before changing accessories or when making repairs;
  - never direct air at yourself or anyone else.
- **Whipping hoses can cause severe injury. Always check for damaged or loose hoses and fittings.**
- **Whenever universal twist couplings (claw couplings) are used, lock pins shall be installed and whip check safety cables shall be used to safeguard against possible hose-to-tool or hose-to-hose connection failure.**
- **Do not exceed the maximum air pressure stated on the tool.**
- **Never carry an air tool by the hose.**
- **When a tool is taken permanently out of service, it is advised that the tool be disassembled and degreased, and parts be separated by material and recycled locally in the appropriate manner.**

## Product Specific Safety Rules

### ⚠ WARNING

- **Use the same size for the Abrasive Disk and Pad. (Example: If the Abrasive Disk is 1", use a 1" Pad.)**  
The chuck diameter is 6 mm. Use genuine Pads.
- **Do not use an Abrasive Disk with the allowable rotation speed (written on the Abrasive Disk, Pad, or package box) lower than the actual rotation speed of the tool.**
- **When mounting the Abrasive Disk or Pad, carefully check for cracks and chips.**  
Do not use Abrasive Disks or Pads that are damaged such as cracks or chips. Also, do not use Abrasive Disks soaked in liquid such as water.
- **When mounting a new Abrasive Disk, place this tool under an iron workbench or in a cast and operate it for 1 minute or more.**  
At this time, make sure there are no people above the rotating surface of the Abrasive Disk.  
If the Abrasive Disk is defective, or in case of improper mounting or the Abrasive Disk and Pad have different size, the Abrasive Disk may come off which is extremely dangerous.
- **When starting to use this tool, make sure that the rotation speed at 0.6 MPa (6 kgf/cm<sup>2</sup>) does not exceed the rotation speed indicated on the label or the tool.**
- **This tool is dedicated to Abrasive Disk.**  
Never use Grinding Wheel.
- **Always work at the correct angle of 15 to 30 degrees.**



# 1 Application

This tool is a pneumatic hand-held sander for polishing/grinding steel materials, etc. using the dedicated Pad and Abrasive Disk.

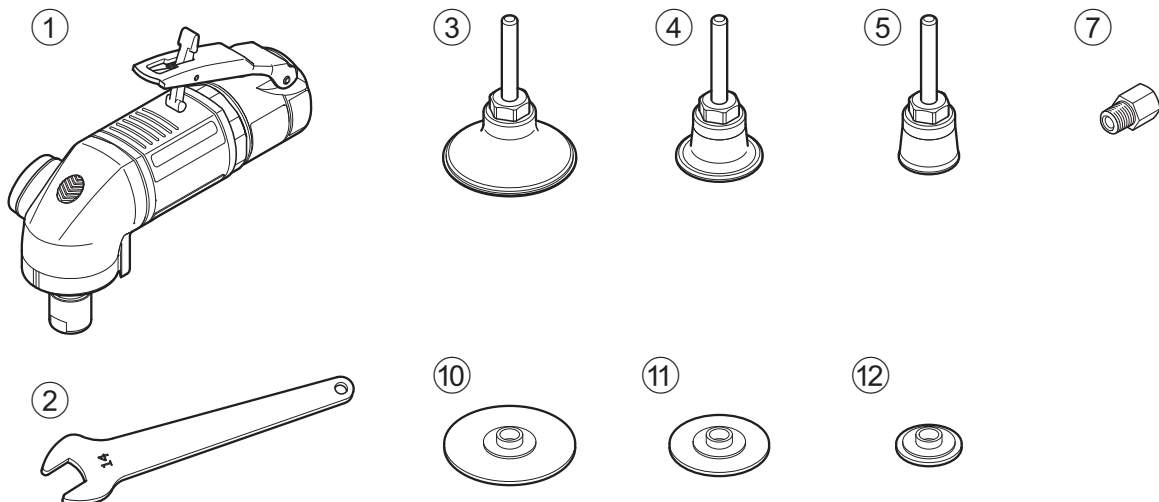
# 2 Checking Inside the Package

When you open the package box, check the contents of the package and also check for any damage that may have occurred during transportation.

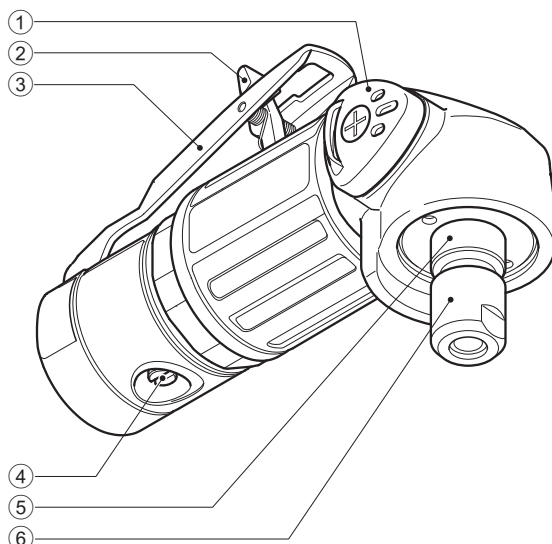
If an abnormality is found, request service from the retailer where you purchased the tool or the nearest NITTO service member store.

	Package content and accessories	Quantity	Check
①	MYS-20 (main unit)	1	
②	Spanner 14	2	
③	Pad 2"	1	
④	Pad 1" - 1/2"	1	
⑤	Pad 1"	1	
⑥	Instruction Manual (this document)	1	
⑦	Bushing R 1/4 × NPT 1/4	1	
⑧	Caution for Use	1	
⑨	EC Declaration of Conformity	1	

	Package content and accessories	Quantity	Check
⑩	Abrasive Disk 2" × #60, #80, #100, #120	2 disks each	
⑪	Abrasive Disk 1.5" × #60, #80, #100, #120	2 disks each	
⑫	Abrasive Disk 1" × #60, #80, #100, #120	2 disks each	



# 3 Part Names



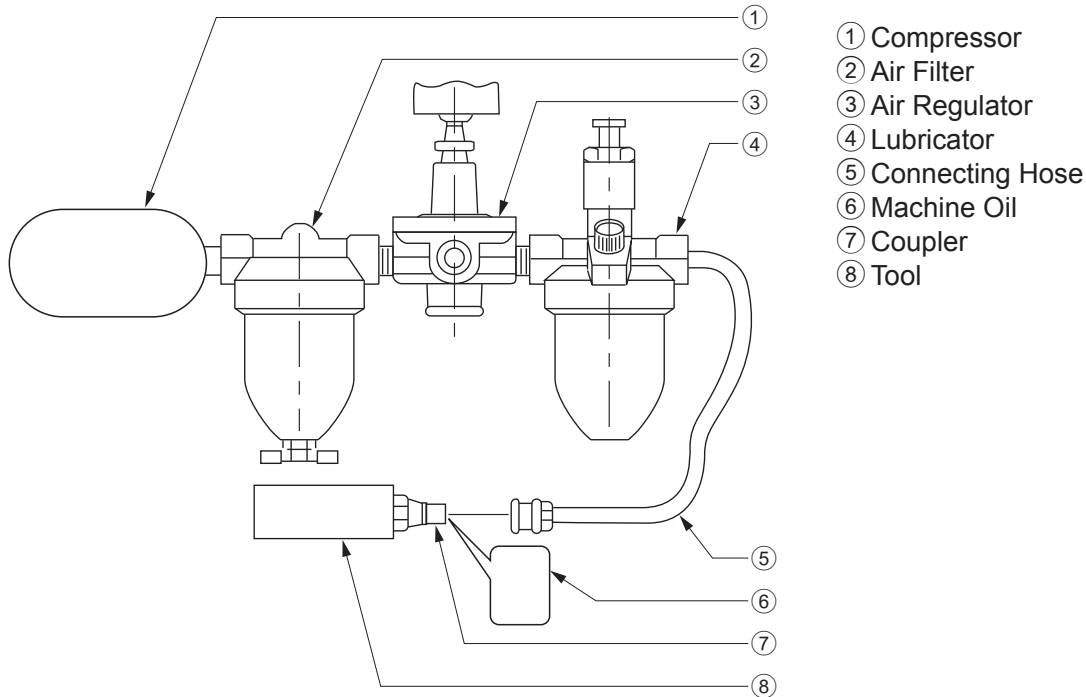
- ① Exhaust Cover
- ② Lock Lever
- ③ Throttle Lever
- ④ Adjust Valve
- ⑤ Spindle
- ⑥ Chuck Nut

## 4 Air Supply

### ⚠ CAUTION

- **Remove drainage before stating work.**

When drainage enters the tool, the vicinity of the exhaust port freezes, which could cause a loss of power.



- ① Compressor
- ② Air Filter
- ③ Air Regulator
- ④ Lubricator
- ⑤ Connecting Hose
- ⑥ Machine Oil
- ⑦ Coupler
- ⑧ Tool

### Air pressure used

Use the tool with air pressure at 0.6 MPa. If the pressure is too low, the tool cannot demonstrate the required performance. If it is too high, it could damage parts of the tool. Use an Air Regulator (③) to adjust the pressure to the appropriate level.

### Air line

Use a Connecting Hose (⑤) with an internal diameter of 9.5 mm (3/8") between the Compressor (①) and the tool (⑧). Compressed air exits the Compressor and cools and moisture condenses. Some moisture could condense inside the Connecting Hose and get inside the tool, causing a malfunction. Install the Air Filter (②) and Lubricator (④) between the Compressor and the tool.

### Machine oil

Install a Lubricator between the Compressor and the tool, and be sure to use machine oil (ISO VG-10). Failure to do so could cause damage to the tool. Also, if lubricating oil with high viscosity is used, it could cause performance degradation.

### Refueling

Each day before starting work detach the Connecting Hose and refill a few drops (⑥) of machine oil (ISO VG-10) from the Coupler (⑦) to the tool.

After refueling, connect the Connecting Hose and perform idle operation for a few seconds to allow the oil to blend in the entire tool.

## 5 Preparation

### ⚠ WARNING

- **Always wear eye protection while working.**  
When a lot of dust is generated in the workplace, wear a dust mask.
- **When replacing or adjusting the Abrasive Disk or parts, be sure to detach the Connecting Hose from the tool.**
- **Never touch moving parts while the tool is running.**
- **After stopping work, the tip of the grinding tool will continue to rotate for a while.**  
Never touch moving parts until the tool completely stops.

## Replacing Pad/Abrasive Disk

### ⚠ WARNING

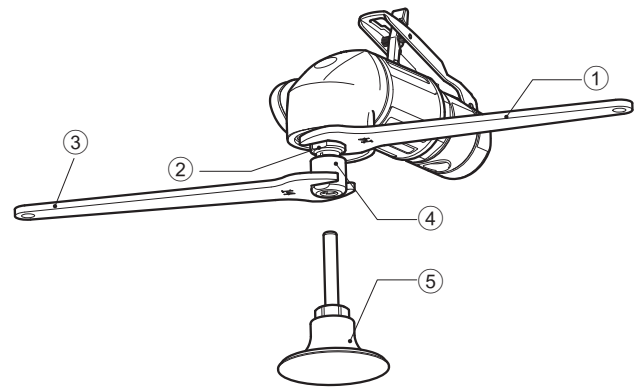
- **Before replacing the Pad or Abrasive Disk, always turn OFF the Throttle Lever and detach the Connecting Hose from the tool.**

### Attaching a Pad

Insert the shaft of the Pad (5) all the way to the rear, turn the Chuck Nut (4) clockwise by the attached Spanner 14 (3) and firmly tighten.

### Removing the Pad

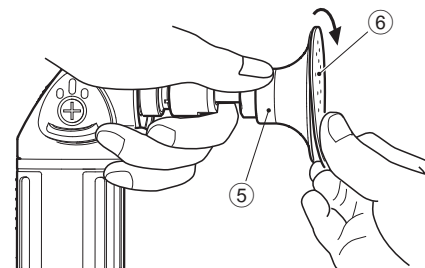
Support the Spindle (2) with the attached Spanner 14 (1), loosen the Chuck Nut (4) by turning it counterclockwise with the other Spanner 14 (3) and pull out the axis of the Pad (5).



- ① Spanner 14
- ② Spindle
- ③ Spanner 14
- ④ Chuck Nut
- ⑤ Pad
- ⑥ Abrasive Disk

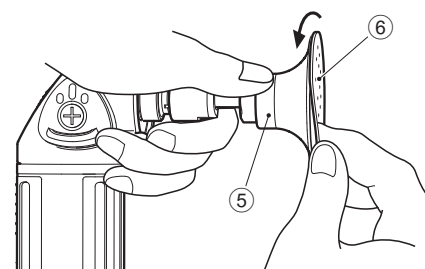
### Attaching the Abrasive Disk

Align the Abrasive Disk with the thread part of the Pad and turn the Abrasive Disk clockwise to firmly tighten



### Removing the Abrasive Disk

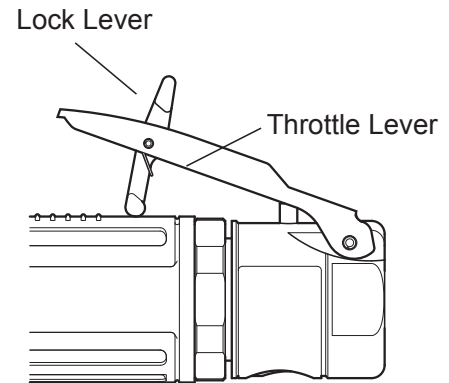
Support the Pad by hand, grasp the end of the Abrasive Disk (6) and turn it counterclockwise to remove it



## Start and stop

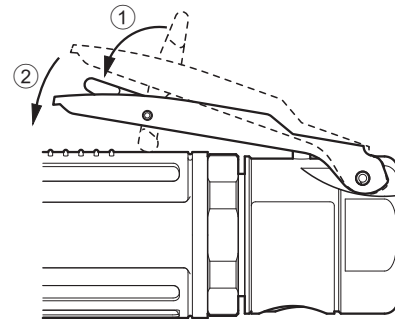
### Start

- 1 Check that the Throttle Lever is in the OFF status and insert the Connecting Hose into the Coupler of this tool.
- 2 Hold the tool and while pressing the Lock Lever (①), press the Throttle Lever (②)  
The tool starts.



### Stop

- 1 Release your hand from the Throttle Lever.  
The Throttle Lever automatically returns to the OFF status.

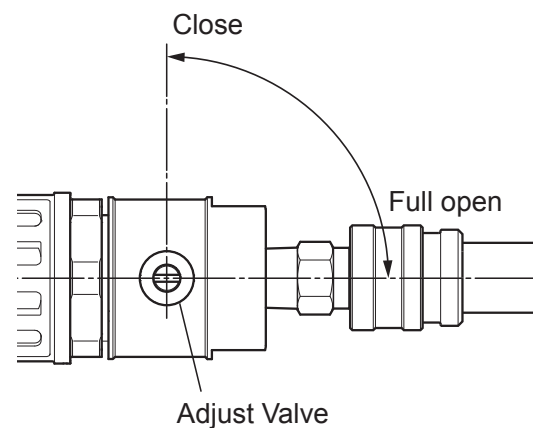


## Adjusting the rotation speed

### ⚠ WARNING

- Never touch the tip of moving parts.

- 1 Use a flathead screwdriver to turn the Adjust Valve  
The air flow rate changed that allows the rotation speed to be adjusted.  
The maximum rotational position is when the screwdriver groove of the Valve coincides with the axis center of the main unit. Adjust the position according to the purpose of use.



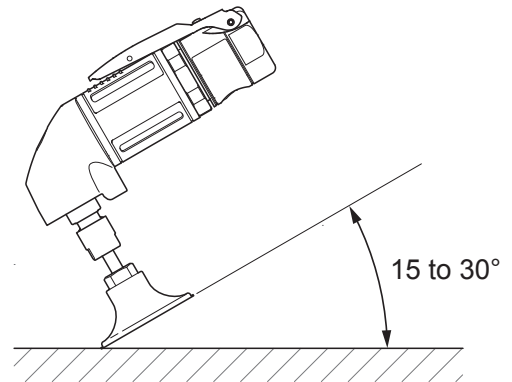
## 6 How to Use

### Grinding work

#### ⚠ CAUTION

- Do not press the Abrasive Disk strongly against the working surface. Doing so could damage parts or damage the Abrasive Disk or Pad.

- 1 Hold the tool with your hand to start
- 2 Lightly touch the Abrasive Disk at an angle of 15 to 30 degrees against the working surface  
Strongly pressing the tool against the working surface does not change work efficiency.





## 7 Maintenance and Inspection

### Storing the tool

Store the tool according to the following warnings and cautions.

#### **WARNING**

- When the tool is not in use, store out of the reach of children.

#### **CAUTION**

- When the tool is not in use, store in a place with little humidity.
- After completing work, lubricate with machine oil (ISO VG-10) from the hose connecting part of the tool and operate a little before storing.  
If the tool is left as is after use, moisture in the air could remain inside the main unit, likely causing rust to occur.

## Maintenance and Inspection

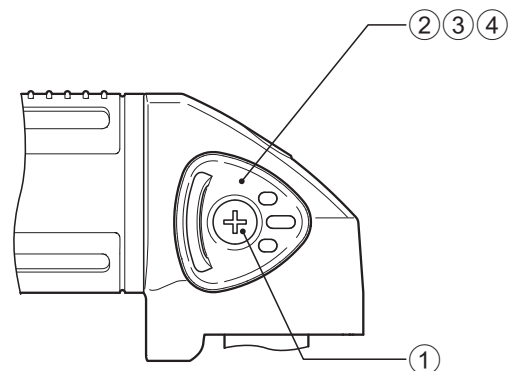
### ⚠ WARNING

- For maintenance and inspection, be sure to detach the connecting hose from the tool.
- Use genuine parts.
- Never touch moving parts while the tool is running.

### Replenishing grease

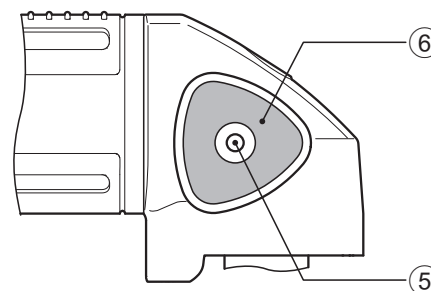
Apply grease (Sumitec 305) as needed to the inside of the main unit about once a month according to the following procedure.

- 1 Loosen the + Countersunk Head Screw 4x16 (①) of the Exhaust Cover and remove the Exhaust Cover (②), Spacer (③), and Packing Cover (④)**



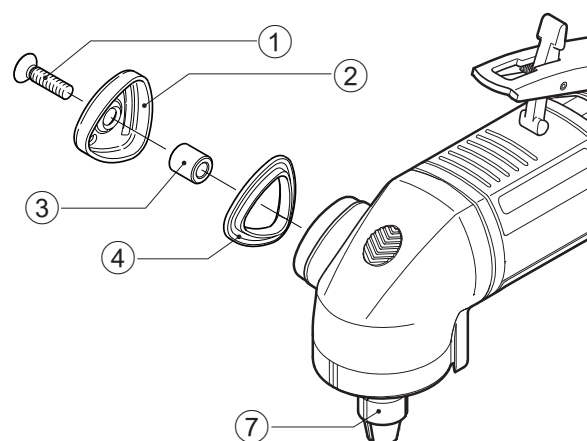
- 2 Use a grease gun to inject grease into the Grease Inlet (⑤)**

- Use a grease gun nozzle with a tip outer diameter of less than 3 mm.
- The nozzle for a grease nipple cannot be used for injection.
- You do not need to remove the Exhaust Filter (⑥). If it came off, attach as shown in the illustration.



- 3 Assembling the Exhaust Cover**

Assemble the Exhaust Cover by performing the disassembly procedure in reverse.



- ① + Countersunk Head Screw 4×16
- ② Exhaust Cover
- ③ Spacer
- ④ Packing Cover
- ⑤ Grease Inlet
- ⑥ Exhaust Filter
- ⑦ Spindle

#### 4 Perform a trial run and wipe off extra grease that seeps out

Attach a connecting hose to the coupler of the tool and operate the tool.

At that time, grease may scatter around the Spindle (⑦), so use with care.

Stop the tool in a few seconds and always detach the tool from the connecting hose, then wipe off any grease that seeps from the periphery of the Spindle.

## Disposal

- Separate the tool, accessories, and packing materials for environmentally-friendly recycling.
- When disposing of the tool, follow the rules of each municipality.

## 8 Optional Parts

A variety of PAD and Abrasive Discs are available for the MYS-20 so that you can use them according to the application.

To purchase these items, contact the retailer where you purchased the tool.

Part no.	Product name	Quantity
TQ14382	PAD 2"	1 pcs.
TQ14383	PAD 1-1/2"	1 pcs.
TQ14384	PAD 1"	1 pcs.
TB09736	Abrasive Disc 1" × #40 Ass'y	25 pcs.
TB09737	Abrasive Disc 1" × #60 Ass'y	25 pcs.
TB09738	Abrasive Disc 1" × #80 Ass'y	25 pcs.
TB09739	Abrasive Disc 1" × #100 Ass'y	25 pcs.
TB09740	Abrasive Disc 1" × #120 Ass'y	25 pcs.
TB09741	Abrasive Disc 1" × #180 Ass'y	25 pcs.
TB09742	Abrasive Disc 1" × #240 Ass'y	25 pcs.
TB09743	Abrasive Disc 1" × #320 Ass'y	25 pcs.
TB09744	Abrasive Disc 1-1/2" × #40 Ass'y	25 pcs.
TB09745	Abrasive Disc 1-1/2" × #60 Ass'y	25 pcs.
TB09746	Abrasive Disc 1-1/2" × #80 Ass'y	25 pcs.

Part no.	Product name	Quantity
TB09747	Abrasive Disc 1-1/2"×#100 Ass'y	25 pcs.
TB09748	Abrasive Disc 1-1/2" × #120 Ass'y	25 pcs.
TB09749	Abrasive Disc 1-1/2" × #180 Ass'y	25 pcs.
TB09750	Abrasive Disc 1-1/2" × #240 Ass'y	25 pcs.
TB09751	Abrasive Disc 1-1/2" × #320 Ass'y	25 pcs.
TB09752	Abrasive Disc 2" × #40 Ass'y	25 pcs.
TB09753	Abrasive Disc 2" × #60 Ass'y	25 pcs.
TB09754	Abrasive Disc 2" × #80 Ass'y	25 pcs.
TB09755	Abrasive Disc 2" × #100 Ass'y	25 pcs.
TB09756	Abrasive Disc 2" × #120 Ass'y	25 pcs.
TB09757	Abrasive Disc 2" × #180 Ass'y	25 pcs.
TB09758	Abrasive Disc 2" × #240 Ass'y	25 pcs.
TB09759	Abrasive Disc 2" × #320 Ass'y	25 pcs.

## 9 Exploded View/Parts List

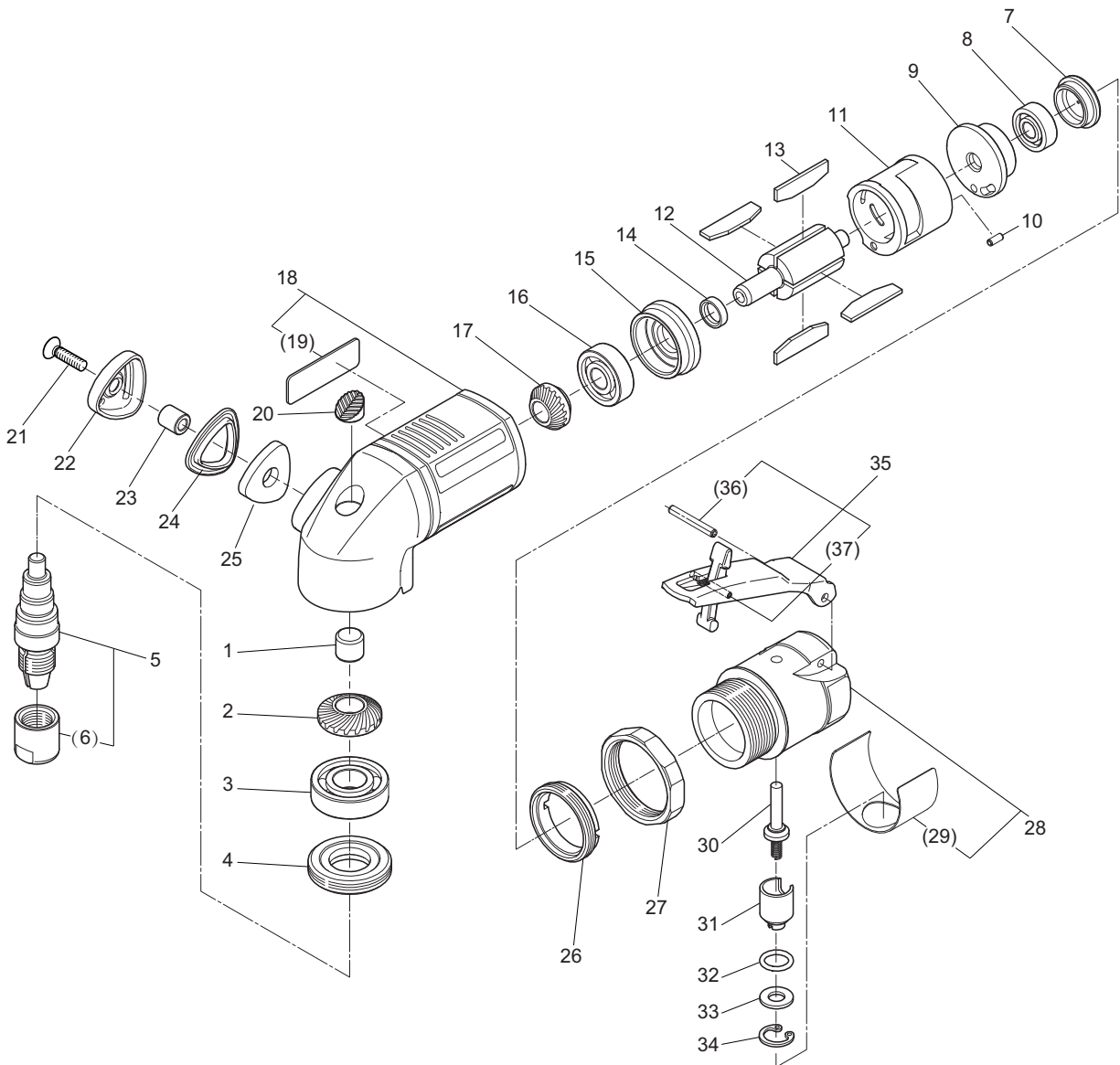
### MYS-20 Exploded View/Parts List

#### ⚠ CAUTION

- Users should never perform disassembly of the tool.

This illustration is for reference only.

For repair or replacement of the tool, request service from the retailer where you purchased the tool or the nearest NITTO service member store.



\*1 indicates a consumable item, \*2 indicates a commercial item. Parts inside ( ) are components of the above assembly.

No.	Part no.	Part name	Quantity
*1 *2	1	TQ12638 Needle Bearing BK0609T2	1
*1	2	TQ12986 Gear 1×22	1
*1 *2	3	TP00498 Ball Bearing 6001ZZ	1
	4	TB08597 Bearing Set Screw Ass'y	1 set
	5	TB09777 Spindle Sub Ass'y	1 set
	(6)	(TP10742) Chuck Nut	1
	7	TP10110 Cap	1

No.	Part no.	Part name	Quantity	
*1 *2	8	TP03933	Ball Bearing 606ZZ	1
	9	TP10109	End Plate A	1
	10	TP00496	Spring Pin 2.5×6 AW	1
	11	TP14222	Cylinder	1
	12	TP14224	Rotor	1
*1	13	TB08602	Blade Ass'y (4 pcs.)	1 set
	14	TP06322	Spacer 8×11×3	1
	15	TQ12622	End Plate B	1
*1 *2	16	TP00468	Ball Bearing 608ZZ	1
*1	17	TQ12985	Pinion 1×15	1
	18	TB10384	Housing Ass'y	1 set
	(19)	(TQ15260)	Label Warning	1
	20	TQ15004	Plug 20	1
	21	TQ14950	+ Countersunk Head Screw 4×16	1
	22	TQ14889	Exhaust Cover	1
	23	TQ14949	Spacer	1
	24	TQ14891	Packing Cover	1
*1	25	TQ15131	Exhaust Filter	1
	26	TP10098	Lock Nut	1
	27	TP03468	Lock Ring	1
	28	TB10383	Valve Body Sub Ass'y	1 set
	(29)	(TQ15265)	Label Specification	1
	30	TA93070	Valve Stem Ass'y	1 set
	31	TP06325	Adjust Valve	1
	32	TP11997	O-Ring KS-7	1
	33	TP06326	Spacer 6×12×1.2	1
	34	TP03695	Internal Retaining Ring C-12	1
	35	TB01152	Lever Ass'y	1
	(36)	(TP00460)	Spring Pin 3×22 AW	1
	(37)	(TP05498)	Spring Pin 2×16 AW	1

## Accessories

No.	Part no.	Part name	Quantity
	TQ14382	PAD 2"	1
	TQ14383	PAD 1-1/2"	1
	TQ14384	PAD 1"	1
	TQ14358	Abrasive Disc 1" × #60	2
	TQ14359	Abrasive Disc 1" × #80	2
	TQ14360	Abrasive Disc 1" × #100	2
	TQ14361	Abrasive Disc 1" × #120	2
	TQ14366	Abrasive Disc 1-1/2" × #60	2
	TQ14367	Abrasive Disc 1-1/2" × #80	2
	TQ14368	Abrasive Disc 1-1/2" × #100	2
	TQ14369	Abrasive Disc 1-1/2" × #120	2
	TQ14374	Abrasive Disc 2" × #60	2
	TQ14375	Abrasive Disc 2" × #80	2
	TQ14376	Abrasive Disc 2" × #100	2
	TQ14377	Abrasive Disc 2" × #120	2
	TP02236	Bushing R 1/4 × NPT 1/4	1
	TP00475	Spanner 14	2
	TQ15266	Instruction Manual	1







## ■ Overseas Affiliates / Offices

### **NITTO KOHKI U.S.A., INC.**

46 Chancellor Drive, Roselle, IL 60172, U.S.A.  
Tel: +1-630-924-9393 Fax: +1-630-924-0303

### **NITTO KOHKI EUROPE GMBH**

Gottlieb-Daimler-Str. 10, 71144 Steinenbronn, Germany  
Tel: +49-7157-989555-0 Fax: +49-7157-989555-40

### **NITTO KOHKI EUROPE GMBH UK BRANCH**

Unit A5, Langham Park Industrial Estate, Maple Road, Castle  
Donington, Derbyshire DE74 2UT, U.K.  
Tel: +44-1332-653800 Fax: +44-1332-987273

### **NITTO KOHKI AUSTRALIA PTY.LTD.**

77 Brandl Street, Eight Mile Plains, Queensland 4113, Australia  
Tel: +61-7-3340-4600 Fax: +61-7-3340-4640

### **NITTO KOHKI (SHANGHAI) CO., LTD.**

Room1506, Suite C, Orient International Plaza, No.85  
Loushanguan Road, Shanghai 200336, China  
Tel: +86-21-6415-3935 Fax: +86-21-6472-6957

### **NITTO KOHKI (SHANGHAI) CO.,LTD. Shenzhen Branch**

2005C Shenzhen ICC Tower, Fuhuasanlu 168, Futian District,  
Shenzhen, Guangdong 518048, China  
Tel: +86-755-8375-2185 Fax: +86-755-8375-2187

### **NITTO KOHKI CO., LTD., Singapore Branch**

10 Ubi Crescent #01-62, Ubi Techpark Lobby D, Singapore  
408564  
Tel: +65-6227-5360 Fax: +65-6227-0192

### **NITTO KOHKI CO., LTD., Bangkok Representative Office**

M&A Business Center, Q-House Convent Bldg., 38 Convent  
Rd., Silom, Bangrak, Bangkok 10500, Thailand  
Tel: +66-2632-0307 Fax: +66-2632-0308

### **NITTO KOHKI CO.,LTD. India Liaison Office**

3rd Floor, Building No.9-A DLF Cyber City, Phase-III,  
Gurgaon, Haryana 122002, India  
Tel: +91-124-454-5031 Fax: +65-6227-0192

### **NITTO KOHKI CO.,LTD. Mexico Representative Office**

OF1109 Torre Corporativo 1 Piso 11 Central Park Armando  
Birlain Shaffler #2001 Col Centro Sur, Queretaro, Qro,  
C.P.76090, Mexico  
Tel: +52-442-290-1234