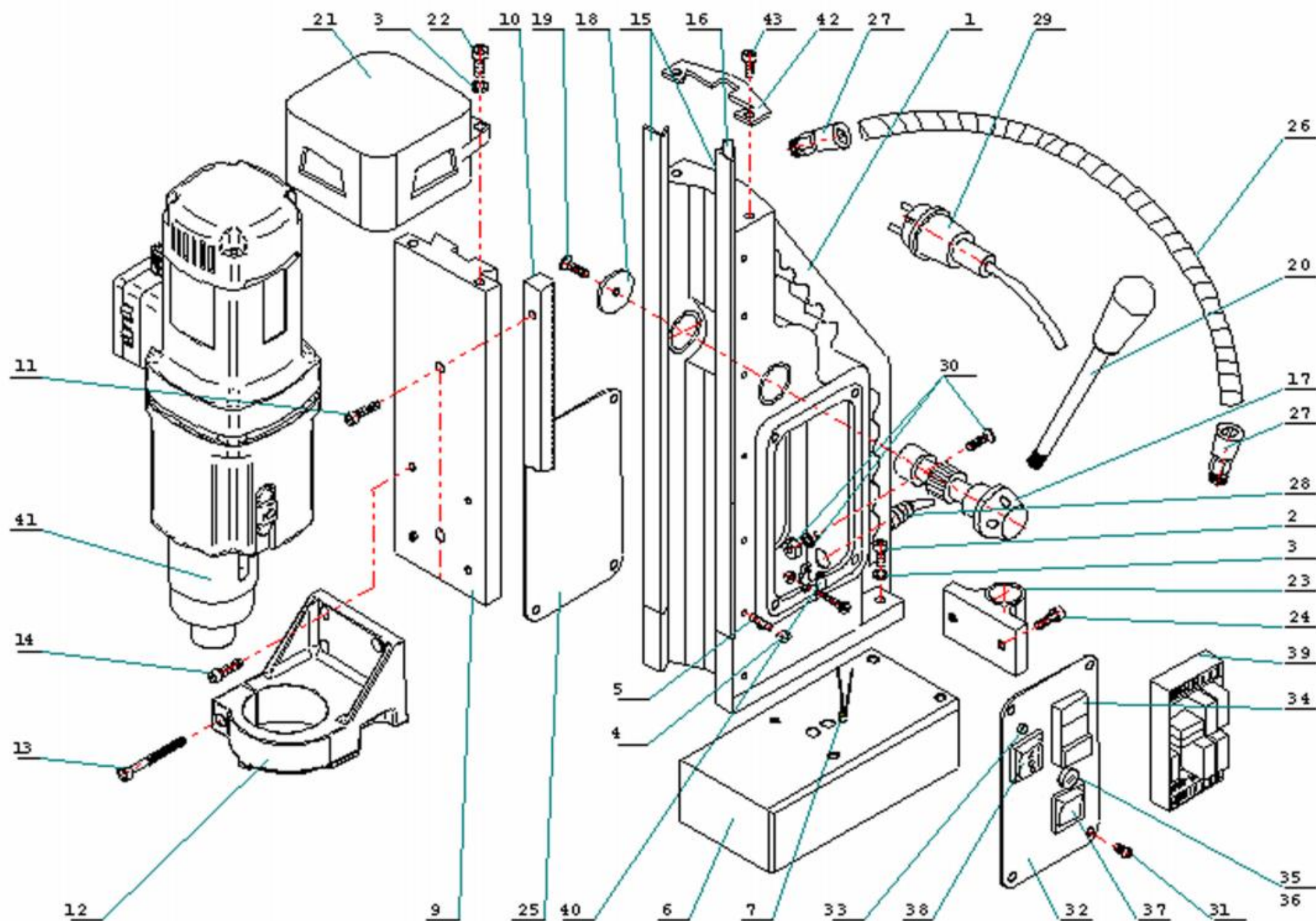


FE 100 RL
Antriebsanheit 1800W

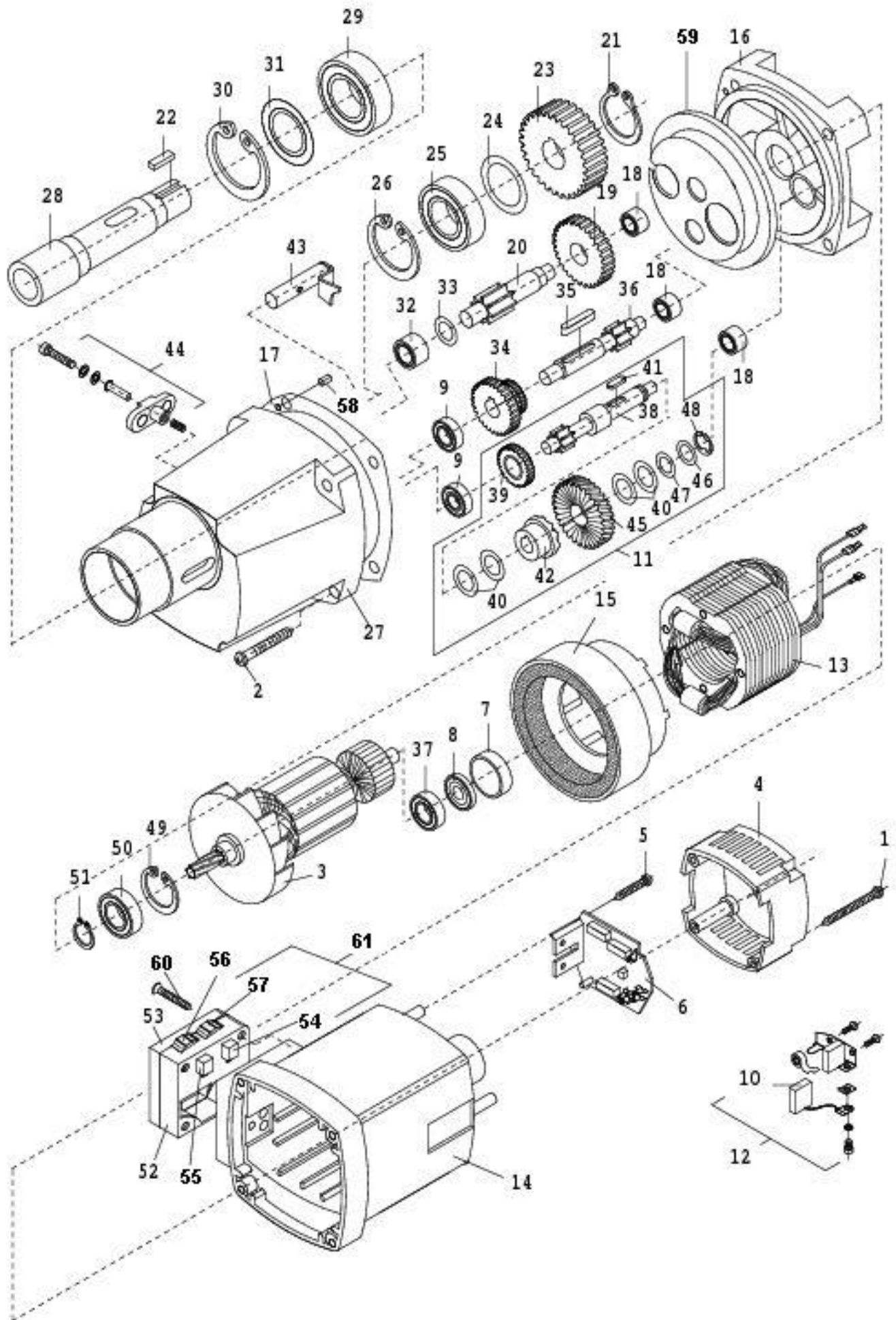


- 1 6011142 Housing
- 2 6010621 Screw M8x25
- 2A 6010111 Screw M6x25
- 3 6010571 Spring washer 8,3
- 3A 6010021 Spring washer 6,3
- 4 6010031 Counter nut M5
- 5 6010421 Setting screw M5x25
- 6 6010431 Magnet with indicator
- 6A 6010431 Magnet w/o indicator
- 6B 6010661 Magnet with indicator for swivel base
- 7 6010061 Magnet indicator
- 8 6010631 Swivel base (complete)
- 9 6010641 Slide unsymmetrical
- 9A 6010641 Slide symmetrical
- 10 6010451 Rack
- 11 6010461 Screw for rack M6x30
- 12 6010471 Motor holder (gear casing)
- 13 6010481 Screw for motor holder M6x55
- 14 6010011 Screw M6x16
- 15 6010493 Brass guidance set (glued)
- 15A 6010492 Brass guidance set (notched)
- 16 6010502 Setting rail (brass, right)
- 16A 6010501 Setting rail (steel, right)
- 17 6010530 Capstan
- 18 6010221 fixing plate for capstan
- 19 6010231 Screw for fixing plate M6x16
- 20 6010541 Turning arm
- 21 6010651 Motor holder (motor housing)
- 22 6010561 Screw for motor holder M8x35
- 23 6010581 Ball support
- 24 6010591 Screw M8x16
- 25 7011361 Housing cover (rear)
- 26 7010001 Cable protection
- 26A 7010541 Cable protection (complete)
- 27 7010021 PG 9 Cable gland with strain relief
- 28 7010031 PG 11 Cable gland with strain relief
- 29 7010041 Cable complete 230V (Eur. plug)
- 29A 7010411 Cable complete 110V (US/UK plug)
- 30 7010061 Earthing (complete)
- 31 7010081 Screw for cover M4x6
- 32 7011291 Housing cover (front)
- 33 7010101 Led-indicator (red/green)
- 33A 7010331 Led-indicator (green)
- 34 7010111 Motor switch
- 35 7010121 Fuse holder)
- 36 7010131 Fuse 2A 5x20, 250V F DIN 41 661
- 37 7010141 Magnet switch
- 38 7010481 Rocker switch L/R
- 38A 7010271 Toggle switch L/R
- 38B 7010951 Knob for toggle switch

- 38C 7010961 Shaft for toggle switch
- 39 6012151 Control unit 3 relays/fuse 230V
- 7010492 Control unit 5 relays 230V
- 39A 7010502 Control unit 5 relays 110V
- 39B 7010152 Control unit 3 relays (toggle switch)
- 40 7010971 Strain relief
- 41 5008001 Motor complete 230V
- 41A 5008101 Motor complete 110V
- 42 6010511 Slide cover
- 43 6010521 Screw for slide cover M4x6

FE 100 R/L

1800W 2-Gang



1	5010581 Screw 4,8x45
2	5010191 Screw 5,5x38
3	5011511 Armature 230V
3A	5011521 Armature 110V
4	5011531 Motor end cap
5	5010951 Screw 3,9x9,5
6	5011541 Speed control unit 230V
6a	5011551 Speed control unit 110V
7	5011561 Bearing cover
8	5011571 Ring magnet
9	5011011 Bearing 6000
10	5011581 Carbon brush
11	5011591 Clutch (complete)
12	5011601 Carbon brush holder (complete)
13	5011611 Field coil 230V
13A	5011621 Field coil 110V
14	5011631 Motor housing
15	5011091 Air guide
16	5011101 Gear box cover
17	5011641 Gear box seal
18	5010351 Needle bearing HK0810
19	5011131 Intermediate gear 2
20	5011141 Intermediate gear shaft 3
21	5011151 Circlip 24/1,2
22	5011161 Key B6x6x20
23	5011171 Spindle gear
24	5011181 Washer 25/35x0,1
25	5011191 Bearing 6005 2RS
26	5011201 Circlip 47/1,75
27	5011211 Gear casing
28	5011221 Spindle
29	5011231 Bearing 6006 2Z
30	5011241 Circlip 55/2
31	5011251 Washer
32	5011261 Needle bearing RNA 4900
33	5011271 Washer
34	5011281 Cluster gear
35	5010501 Key A5x5x28
36	5011291 Intermediate gear shaft 2
37	5011301 Bearing 6000 2Z
38	5011311 Intermediate gear shaft 1
39	5011321 Intermediate gear 1
40	5011331 Spring 28/12,2x1
41	5011341 Key A5x5x10
42	5011351 Coupling gear 1
43	5011361 Coupling pin (complete)
44	5010521 Gear switch (complete)
45	5011651 Coupling gear 2
46	5011381 Pressure washers

47	5011391 Washer 12
48	5011411 Circlip 9
49	5010271 Circlip 28/1,2
50	5012501 Bearing 6001 2RS
51	5010711 Circlip 11/1
52	5011661 Potentio meter housing
52A	5011421 Potentio meter housing
53	5011671 Potentio meter housing cover
53A	5011431 Potentio meter housing cover
54	5011441 Intermediate part
55	5011401 Potentio meter speed 110 kOhm 2V
55A	5011451 Potentio meter speed 100 kOhm
56	5011681 Potentio meter torque 1 kOhm 7V
56A	5011691 Potentio meter torque 1 kOhm
57	5011701 Thumb wheel red torque 7V
58	5010861 Thumb wheel blue speed 2V
59	5011471 Thumb wheel orange
60	5011481 Grooved pin 5x16
61	5011711 Grease container
62	5011971 Countersunk screw 6x45
62A	5011961 Countersunk screw 6x55
63	5011981 Pontentio meter housing complete