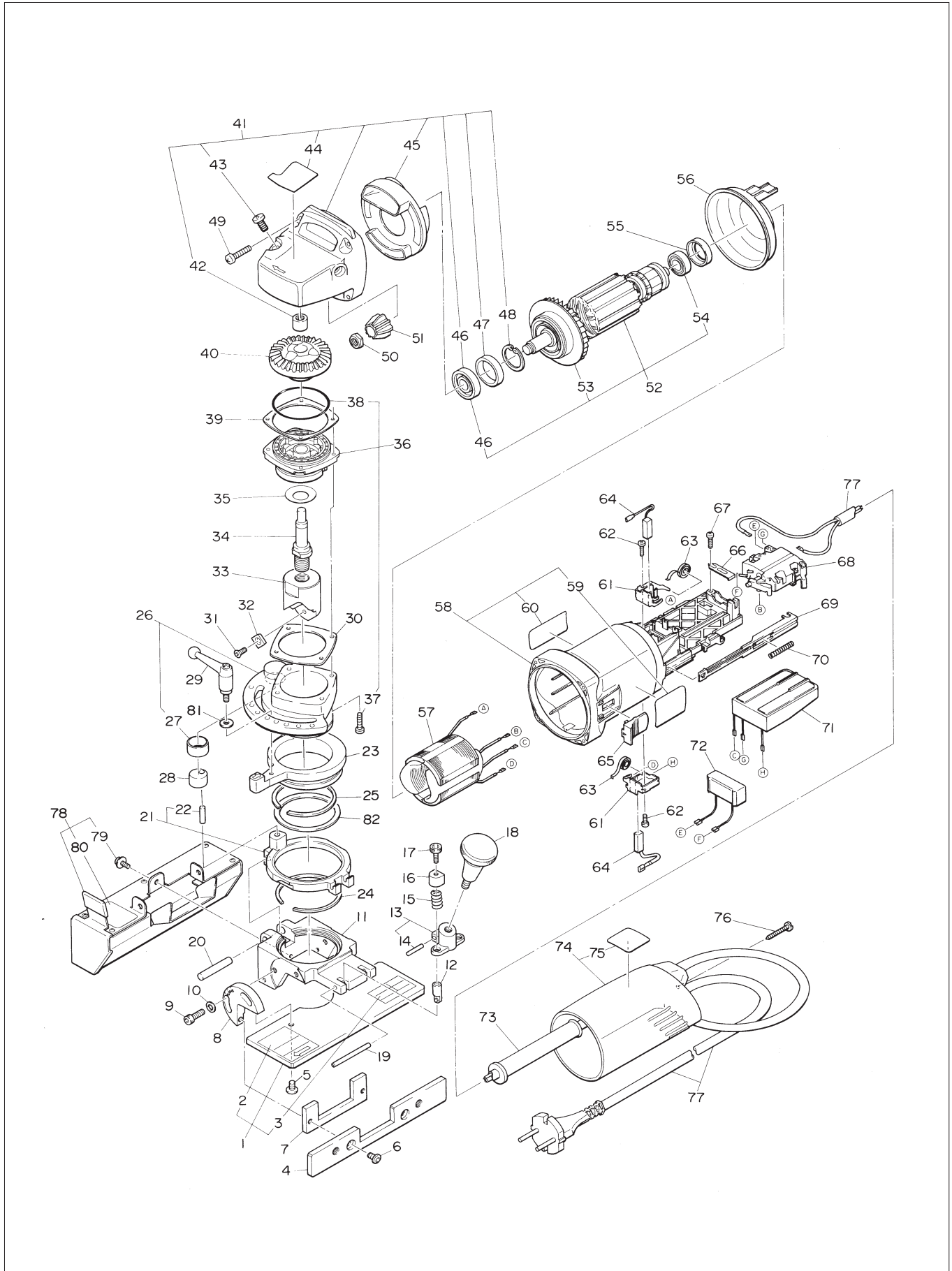


# MINI BEVELER EMB-0307A ASSEMBLY AND PARTS LIST



The part numbers with ( ) are included in the Ass'y parts written above them.

| No. | Part No.  | Part Name                      | Q'ty  | Price |
|-----|-----------|--------------------------------|-------|-------|
| 1   | TB02632   | Plate C Ass'y                  | 1 set |       |
| 2   | (TP16975) | Label A (Caution)              | 1     |       |
| 3   | (TQ01684) | Label B (beveling level)       | 1     |       |
| 4   | TQ03415   | Plate D                        | 1     |       |
| 5   | TQ00211   | Hex. Screw 5 X 8               | 2     |       |
| 6   | TQ00214   | Hex. Screw 5 X 12              | 2     |       |
| 7   | TQ04308   | Plate Supporter                | 1     |       |
| 8   | TP18065   | Plate Guide                    | 2     |       |
| 9   | TP02862   | Hex. Bolt 5 X 15               | 4     |       |
| 10  | TP02152   | Plain Washer M5                | 4     |       |
| 11  | TQ04301   | Head                           | 1     |       |
| 12  | TQ04305   | Shaft                          | 2     |       |
| 13  | TB03291   | Lock Block A Ass'y             | 1 set |       |
| 14  | (TQ04306) | Parallel Pin A4 X 25           | 1     |       |
| 15  | TQ04302   | Spring 1.2 X 10.5 X 14         | 2     |       |
| 16  | TQ04303   | Cover                          | 2     |       |
| 17  | TP00021   | Hex. Bolt 5 X 10               | 2     |       |
| 18  | TA93017   | Knob Ass'y                     | 1 set |       |
| 19  | TQ04307   | Parallel Pin A5 X 50           | 1     |       |
| 20  | TQ04300   | Parallel Pin A8 X 35           | 1     |       |
| 21  | TB03290   | Lock Plate Ass'y               | 1 set |       |
| 22  | (TQ04298) | Parallel Pin A6 X 20           | 1     |       |
| 23  | TQ04296   | Eccentric Ring                 | 1     |       |
| 24  | TQ04310   | Concentric Snap Ring WR-65     | 1     |       |
| 25  | TP18056   | Concentric Snap Ring WR-52     | 1     |       |
| 26  | TB03392   | Adapter Ass'y                  | 1 set |       |
| 27  | (TQ04442) | Bushing LFB-1810               | 1     |       |
| 28  | TQ04297   | Eccentric Top                  | 1     |       |
| 29  | TQ04294   | Clamp Lever KR5 X 15           | 1     |       |
| 30  | TQ04328   | Spacer t0.05 (for adjustment)  |       |       |
|     | TQ04329   | Spacer t0.1 (for adjustment)   |       |       |
|     | TQ04330   | Spacer t0.2 (for adjustment)   |       |       |
|     | TQ04331   | Spacer t0.3 (for adjustment)   |       |       |
|     | TQ04332   | Spacer t0.5 (for adjustment)   |       |       |
| 31  | TQ01629   | Tip Fixing Screw 4 X 7         | 1     |       |
| 32  | TV7A019   | Cutting Tips (2 pcs/set)       | 1 set |       |
| 33  | TQ03412   | Holder                         | 1     |       |
| 34  | TQ03795   | Spindle                        | 1     |       |
| 35  | TQ03796   | Washer                         | 1     |       |
| 36  | TB03407   | Bearing Case Ass'y C           | 1 set |       |
| 37  | (TP14471) | Hex. Socket Bolt 4 X 20        | 4     |       |
| 38  | (TQ01578) | O-Ring 46 X 48 X 1             | 1     |       |
| 39  | TQ03822   | Spacer For Bearing Case 0.1mm  |       |       |
|     | TQ03823   | Spacer For Bearing Case 0.15mm |       |       |
|     | TQ03824   | Spacer For Bearing Case 0.2mm  |       |       |
|     | TQ03825   | Spacer For Bearing Case 0.3mm  |       |       |
| 40  | TQ03797   | Gear                           | 1     |       |
| 41  | TB03321   | Gear Case Ass'y A              | 1 set |       |
| 42  | (TP16788) | Needle Bearing HK0808          | 1     |       |
| 43  | (TB03234) | Lock Button Ass'y              | 1 set |       |
| 44  | (TQ03840) | Caution Label                  | 1     |       |

| No. | Part No.  | Part Name                       | Q'ty  | Price |
|-----|-----------|---------------------------------|-------|-------|
| 45  | (TQ04210) | Air Deflector Ring              | 1     |       |
| 46  | (TQ04203) | Ball Bearing 608LU              | 1     |       |
| 47  | (TP16785) | Gum Ring A                      | 1     |       |
| 48  | (TQ04214) | Retaining Ring                  | 1     |       |
| 49  | TQ04219   | + Tapping Screw 4 X 25          | 4     |       |
| 50  | TP16763   | Hex. Nut M7 Special             | 1     |       |
| 51  | TQ04213   | Pinion                          | 1     |       |
| 52  | TB03322   | Armature Ass'y 230V             | 1 set |       |
| 46  | (TQ04203) | Ball Bearing 608LU              | 1     |       |
| 53  | (TQ04200) | Fan                             | 1     |       |
| 54  | (TP06386) | Ball Bearing 607 ZZ             | 1     |       |
| 55  | TQ04208   | Gum Ring                        | 1     |       |
| 56  | TQ04209   | Fan Guide                       | 1     |       |
| 57  | TB03339   | Stator Ass'y 230V               | 1 set |       |
| 58  | TB03409   | Motor Case Ass'y                | 1 set |       |
| 59  | (TQ04319) | Label Model Number              | 1     |       |
| 60  | (TQ04318) | Label Warning                   | 1     |       |
| 61  | TQ04204   | Brush Holder                    | 2     |       |
| 62  | TQ04216   | + Tapping Screw 2.9 X 9.5       | 2     |       |
| 63  | TQ04205   | Brush Spring                    | 2     |       |
| 64  | TB03219   | Carbon Brush Ass'y (2 pcs./set) | 1 set |       |
| 65  | TP16803   | Switch Button                   | 1     |       |
| 66  | TP16772   | Cord Clamp                      | 1     |       |
| 67  | TQ04215   | + Tapping Screw 3 X 9           | 1     |       |
| 68  | TP16766   | Switch FV-110                   | 1     |       |
| 69  | TQ04206   | Slider                          | 1     |       |
| 70  | TP16804   | Spring 0.5 X 4.5 X 29           | 1     |       |
| 71  | TQ04383   | Governor 230V                   | 1     |       |
| 72  | TQ04202   | Condenser                       | 1     |       |
| 73  | TQ04384   | Cord Armour 230V                | 1     |       |
| 74  | TB03324   | Motor Cover Ass'y               | 1 set |       |
| 75  | (TQ03819) | Label Electronic                | 1     |       |
| 76  | TQ04217   | + Tapping Screw 4 X 18          | 1     |       |
| 77  | TQ04382   | Cabtyre Cord                    | 1     |       |
| 78  | TB03427   | Dust Box Ass'y                  | 1 set |       |
| 79  | (TQ04475) | + Pan Head Screw 5 X 10         | 3     |       |
| 80  | (TQ04472) | Label Caution Dust Box          | 1     |       |
| 81  | TQ04642   | Plain Washer M5 12 X 5.5 X 0.5  | 1     |       |
| 82  | TQ04775   | Spacer t0.1 (for Lock Plate)    | 1     |       |
|     | TQ04776   | Spacer t0.2 (for Lock Plate)    | 1     |       |
|     | TQ04777   | Spacer t0.05 (for Lock Plate)   | 1     |       |

#### ACCESSORIES

|  |         |                          |       |  |
|--|---------|--------------------------|-------|--|
|  | TB01159 | Tip 12.7 (10 pcs/set)    | 1 set |  |
|  | TQ01629 | Tip Fixing Screw 4 x 7   | 1     |  |
|  | TB03219 | Carbon Brush (2 pcs/set) | 1 set |  |
|  | TP01939 | Hex. Wrench Key 4        | 1     |  |
|  | TQ01683 | Spanner T-15D            | 1     |  |
|  | TP08584 | Hex. Nut M8              | 2     |  |
|  | TP17133 | Hex. Screw 8 X 25        | 2     |  |
|  | TQ04445 | Instruction Manual       | 1     |  |