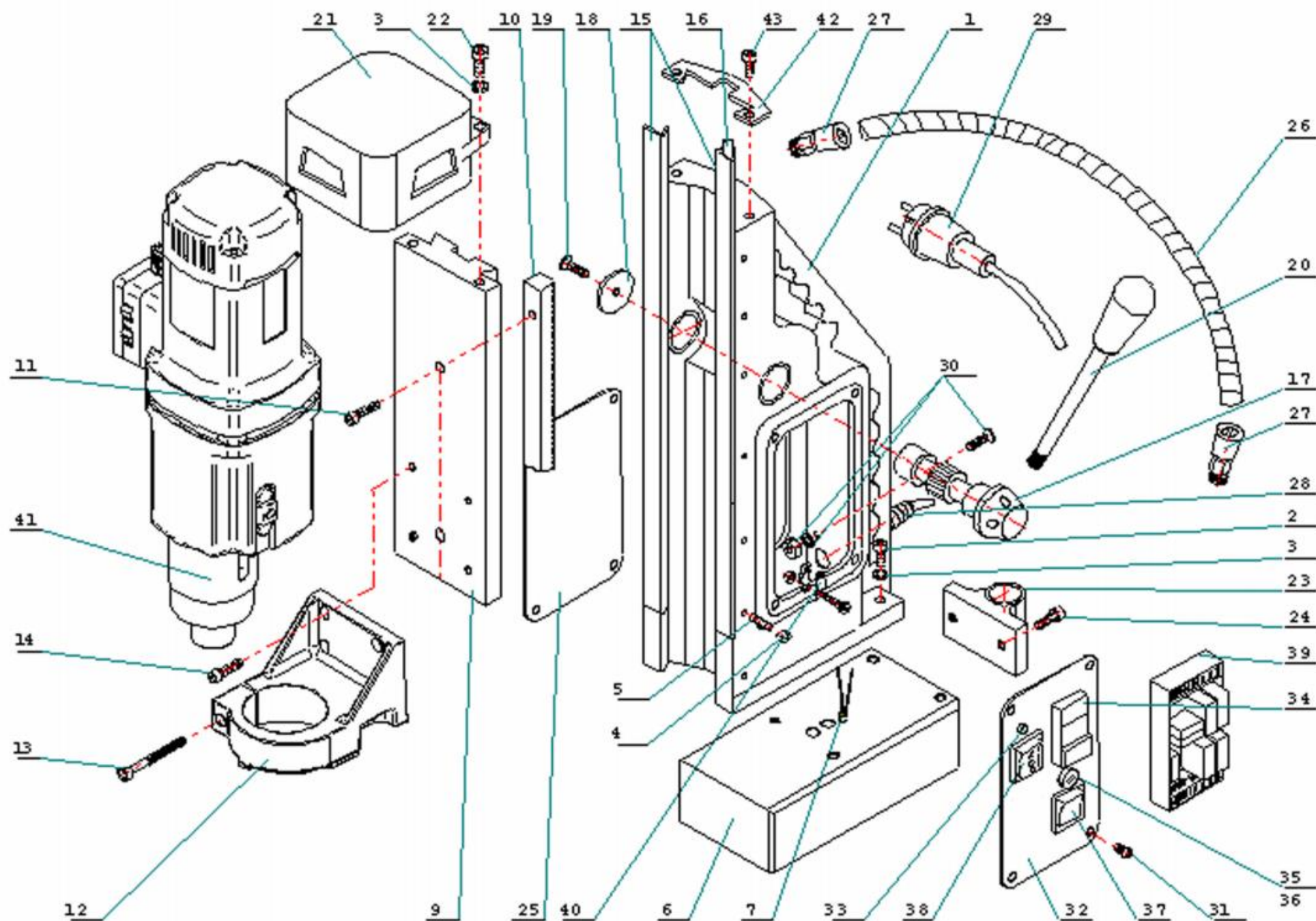


FE 100 RL
Antriebsanheit 1800W



- 1 6011142 Housing
- 2 6010621 Screw M8x25
- 2A 6010111 Screw M6x25
- 3 6010571 Spring washer 8,3
- 3A 6010021 Spring washer 6,3
- 4 6010031 Counter nut M5
- 5 6010421 Setting screw M5x25
- 6 6010431 Magnet with indicator
- 6A 6010431 Magnet w/o indicator
- 6B 6010661 Magnet with indicator for swivel base
- 7 6010061 Magnet indicator
- 8 6010631 Swivel base (complete)
- 9 6010641 Slide unsymmetrical
- 9A 6010641 Slide symmetrical
- 10 6010451 Rack
- 11 6010461 Screw for rack M6x30
- 12 6010471 Motor holder (gear casing)
- 13 6010481 Screw for motor holder M6x55
- 14 6010011 Screw M6x16
- 15 6010493 Brass guidance set (glued)
- 15A 6010492 Brass guidance set (notched)
- 16 6010502 Setting rail (brass, right)
- 16A 6010501 Setting rail (steel, right)
- 17 6010530 Capstan
- 18 6010221 fixing plate for capstan
- 19 6010231 Screw for fixing plate M6x16
- 20 6010541 Turning arm
- 21 6010651 Motor holder (motor housing)
- 22 6010561 Screw for motor holder M8x35
- 23 6010581 Ball support
- 24 6010591 Screw M8x16
- 25 7011361 Housing cover (rear)
- 26 7010001 Cable protection
- 26A 7010541 Cable protection (complete)
- 27 7010021 PG 9 Cable gland with strain relief
- 28 7010031 PG 11 Cable gland with strain relief
- 29 7010041 Cable complete 230V (Eur. plug)
- 29A 7010411 Cable complete 110V (US/UK plug)
- 30 7010061 Earthing (complete)
- 31 7010081 Screw for cover M4x6
- 32 7011291 Housing cover (front)
- 33 7010101 Led-indicator (red/green)
- 33A 7010331 Led-indicator (green)
- 34 7010111 Motor switch
- 35 7010121 Fuse holder)
- 36 7010131 Fuse 2A 5x20, 250V F DIN 41 661
- 37 7010141 Magnet switch
- 38 7010481 Rocker switch L/R
- 38A 7010271 Toggle switch L/R
- 38B 7010951 Knob for toggle switch

- 38C 7010961 Shaft for toggle switch
- 39 6012151 Control unit 3 relays/fuse 230V
- 7010492 Control unit 5 relays 230V
- 39A 7010502 Control unit 5 relays 110V
- 39B 7010152 Control unit 3 relays (toggle switch)
- 40 7010971 Strain relief
- 41 5008001 Motor complete 230V
- 41A 5008101 Motor complete 110V
- 42 6010511 Slide cover
- 43 6010521 Screw for slide cover M4x6